

Trio 2

TRIO-2

An excellent choice for a telescopic banner stand, the Trio supports a single and double-sided graphic. Made of anodized aluminum, it is very stable, quick and easy to set-up.



features and benefits:

- 2 graphic widths, 800 or 920mm
- Snap rails for replaceable graphics
- Single sided or double sided
- Bungee and telescoping pole
- One year hardware warranty against manufacturer defects

dimensions:

Hardware

Assembled unit:

800mm:

31.5" w x 58.5" - 82.75" h x 19.25" d
801mm(w) x 1486mm - 2102mm(h) x 490mm(d)

920mm:

36.25" w x 58.5" - 82.75" h x 19.25" d
920mm(w) x 1486mm - 2102mm(h) x 490mm(d)

Approximate weight:

8 lb / 3.6 kg

Shipping

Packing case(s):

1 Box(es)

Shipping dimensions:

42" l x 7" h x 7" d
1068mm(l) x 178mm(h) x 178mm(d)

Approximate total shipping weight (w/o graphics):

9 lb / 4.1 kg

Graphic

Refer to related graphic template for more information.

Visit:

www.exhibitors-handbook.com/graphic-templates

additional information:

Graphic material:

Anti-curl vinyl, supreme melinex, premium fabric

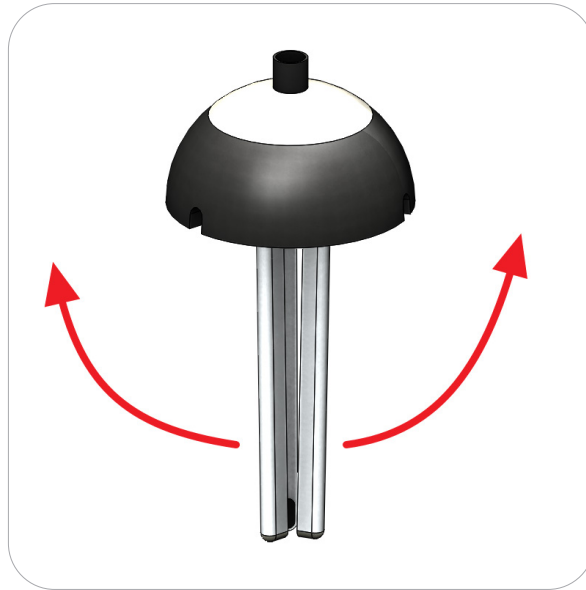
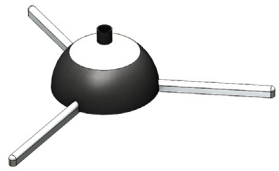
We are continually improving and modifying our product range and reserve the right to vary the specifications without prior notice. All dimensions and weights quoted are approximate and we accept no responsibility for variance. E&OE. See Graphic Templates for graphic bleed specifications.

Kit Assembly

Step by Step

Step 1.

Pull the legs into the base grooves and set on ground.



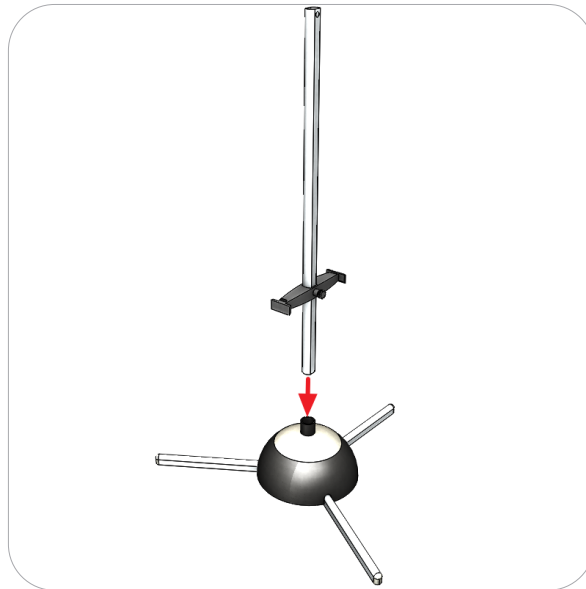
Step 2.

Fit rail bracket onto bottom extrusion.



Step 3.

Insert extrusion into base.



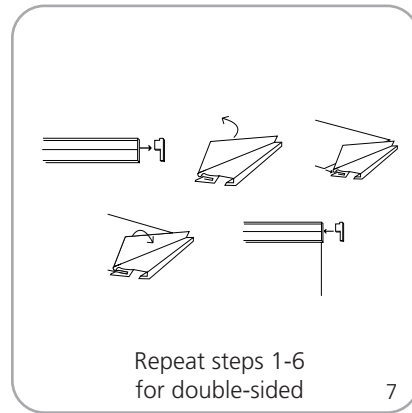
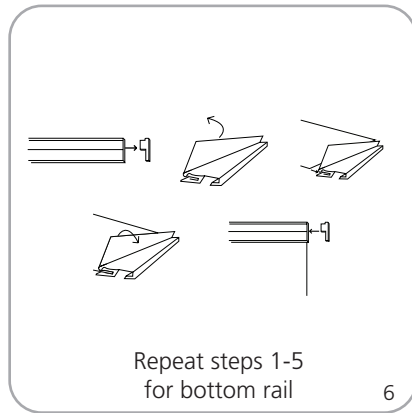
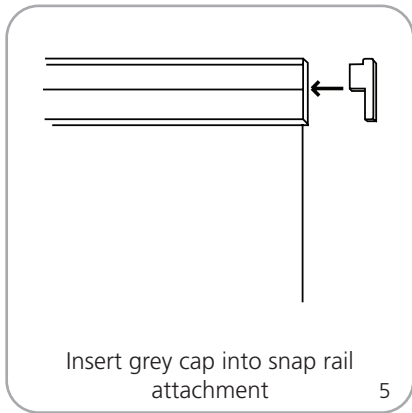
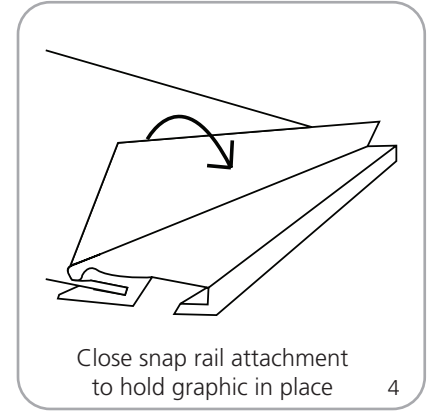
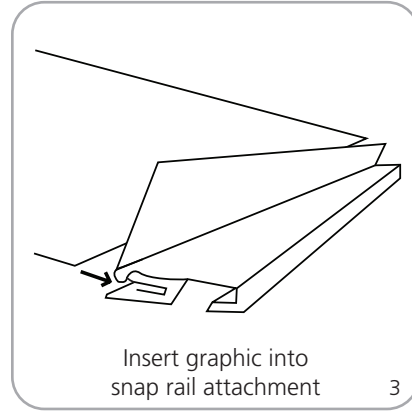
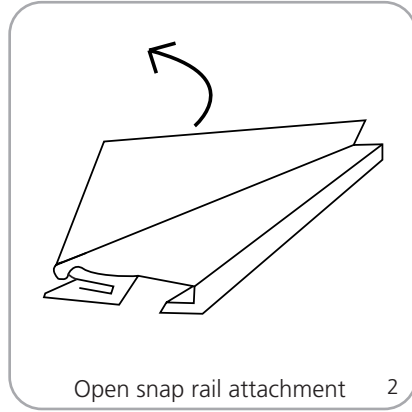
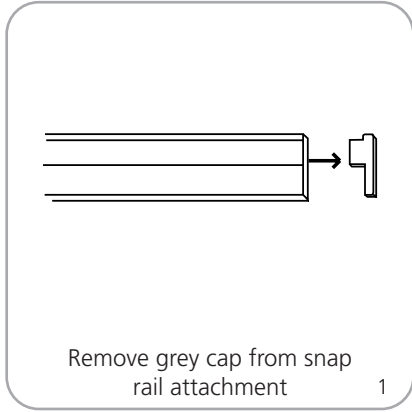
Step 4.

Raise pole to desired height.



Kit Assembly

Trio Graphic Attachment



Kit Assembly

Trio Assembly

