

Projecting Signs

A range of double sided, curved wall mountable systems in landscape and portrait positions. Comes complete with decorative nut caps. Clear non-glare lens optional. Wall bracket comes in silver and custom lengths are available to meet your specifications.



PJL Series



PJP Series



PJF Series

features and benefits:

PJL Series - Top to Bottom Curve

PJP Series - Left to Right Curve

- Double sided curved projecting frames, in landscape or portrait positions
- Curved aluminum body
- Available in anodized silver or powder-coated black finish
- Comes standard with clear non-glare lens, unless otherwise specified

PJF Series - Flat

- Flat, double sided wall projecting signs
- Silver finish extruded aluminum body
- black, impact-modified plastic end caps, one of which doubles up as a mounting bracket

dimensions:

Hardware	Shipping
<p>Assembled unit: Hardware weights and dimensions vary depending on the type and quantity of product ordered. See page 2 for your specific weights and dimensions.</p>	<p>Shipping weights and dimensions vary depending on the quantity of product ordered. Contact your dealer for your specific weights and dimensions.</p>



additional information:

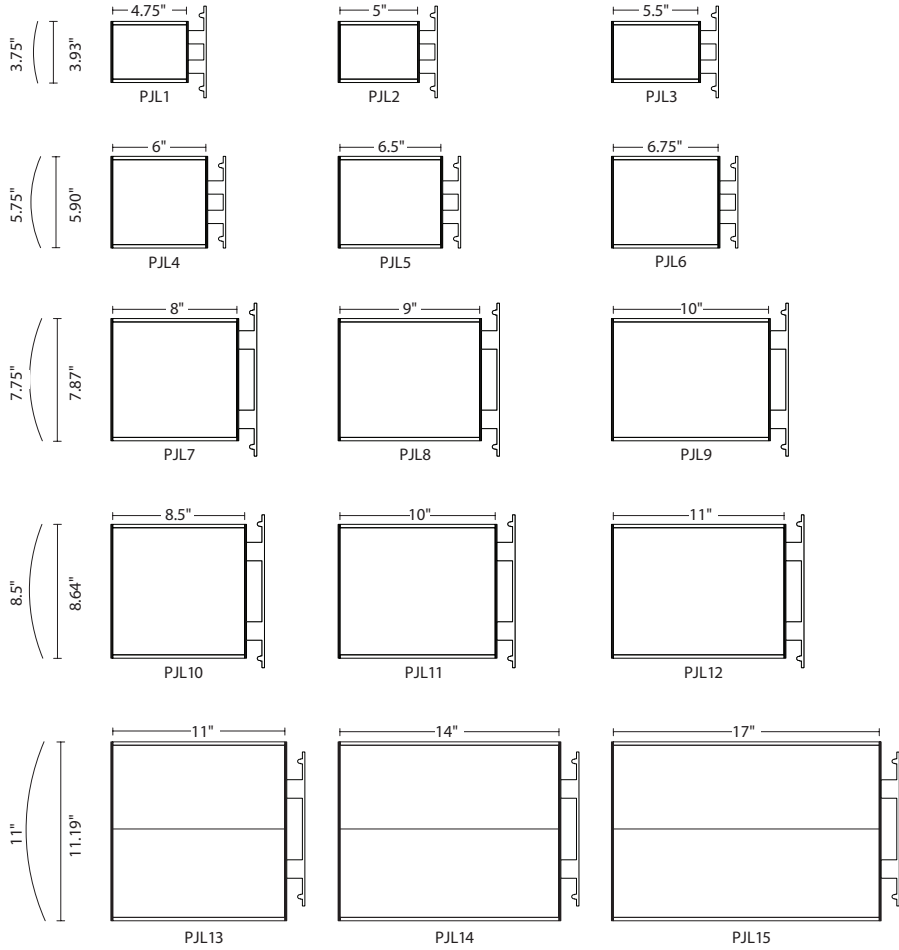
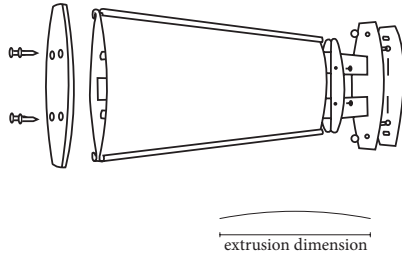
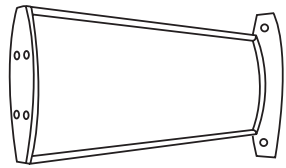
Graphic material:
cut adhesive vinyl

- Comes fully assembled
- Custom lengths available

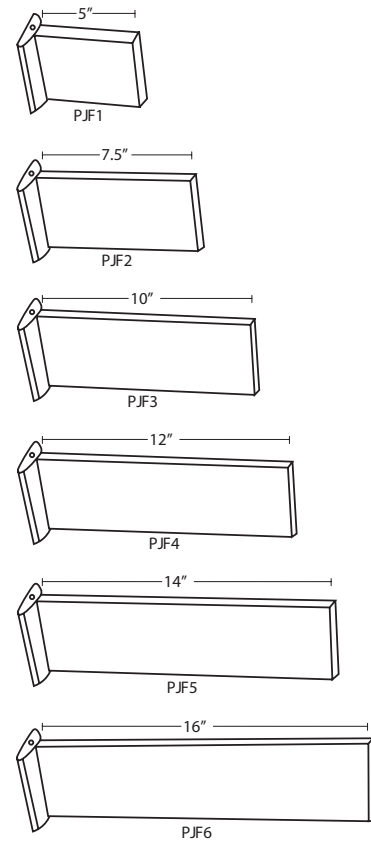
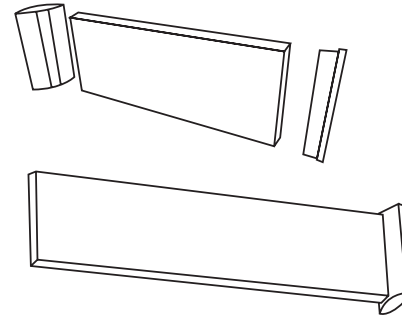
*Nut cap should be tightened by hand tool only. Tool tightening may compromise tension.

We are continually improving and modifying our product range and reserve the right to vary the specifications without prior notice. All dimensions and weights quoted are approximate and we accept no responsibility for variance. E&OE. See Graphic Templates for graphic bleed specifications.

PJL SERIES
Top to bottom curve



PJF SERIES
Flat projecting signs



PJP SERIES
Left to right curve

