

Flat Triangular Signs

FLAT-PJT Series

The stylish, easy view FLAT-PJT system can be mounted to either a wall or a ceiling and is visible from two directions. It features a triangular aluminum extruded body with plastic molded endcaps. Custom sizes are available to meet your specifications.



SIGNPRO™
S Y S T E M S

We are continually improving and modifying our product range and reserve the right to vary the specifications without prior notice. All dimensions and weights quoted are approximate and we accept no responsibility for variance. E&OE. See Graphic Templates for graphic bleed specifications.

features and benefits:

- Allows wall or ceiling mount
- Double sided visibility
- Triangular aluminum extruded body with plastic molded end caps
- Option of round or square profile
- Available in anodized silver or black
- Individually replaceable inserts
- Custom sizes available

dimensions:

Hardware

Assembled unit:

- Custom sizes available
- All lengths measurements (as shown on following page) apply to the extrusion only and exclude the end caps

Shipping

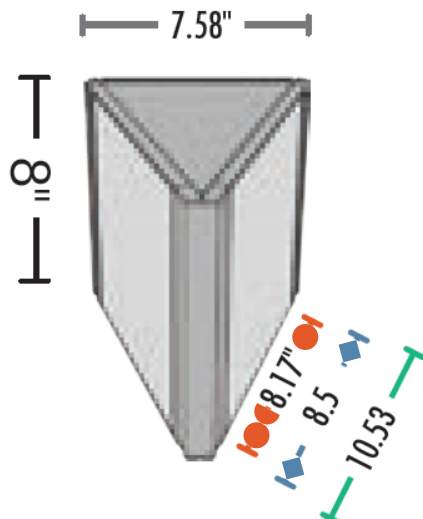
Shipping weights and dimensions vary depending on the quantity of product ordered. Contact your dealer for your specific weights and dimensions.

additional information:

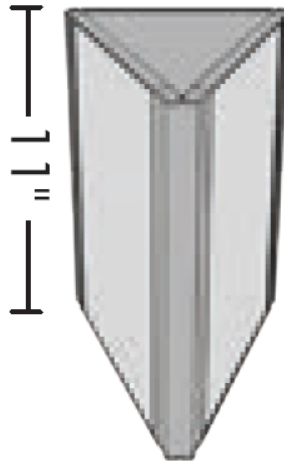
Graphic material:

Frames can accommodate a multitude of sign substrates from printed paper inserts, laminated printed, cut vinyl, etc. Your sign professional will help you find the material that's right for your project.

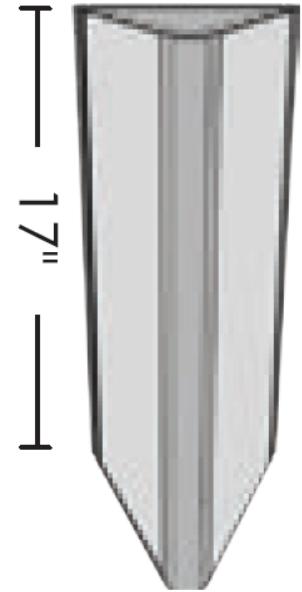
■ Frame Size ◆ Graphic Dims ● Visible Area



FLAT-PJT501

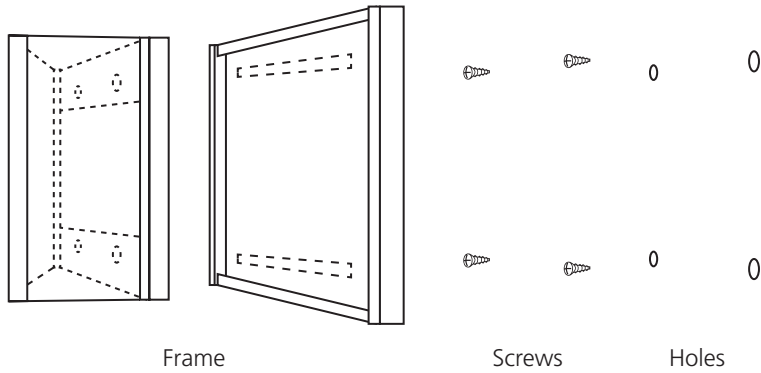


FLAT-PJT502



FLAT-PJT503

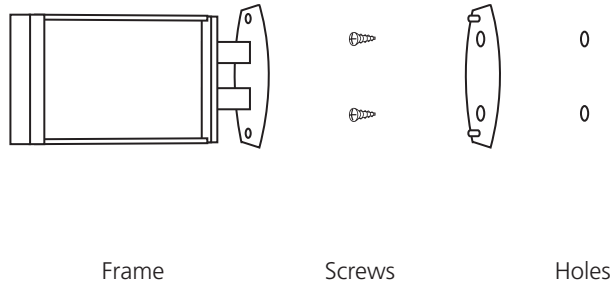
Mounting Instructions



Direct to Wall

FLAT-WP
FLAT-PJT
FLAT-DIRP
FLAT-DIRM

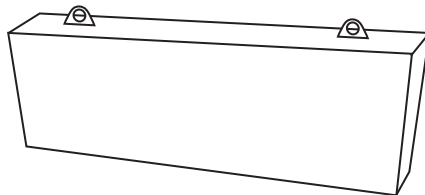
- Step 1.** Set frame on wall in desired location.
- Step 2.** Mark holes, remove frame, and drill holes.
- Step 3.** Place anchors in drilled holes, screws in anchors, then screw into wall.
- Step 4.** Mount frame by lining channel bars with screws.



Bracket to Wall

FLAT-PJL
FLAT-PJP

- Step 1.** Set bracket on wall in desired location.
- Step 2.** Mark holes, remove bracket, and drill holes.
- Step 3.** Place anchors in drilled holes, then return bracket to wall.
- Step 4.** Place screws through bracket face and screw into anchors.
- Step 5.** Apply nut caps.



Suspend

FLAT-SUSP

- Step 1.** Install mounts (not included) on ceiling in desired location.
- Step 2.** Attach cables (not included) to mounts and frame rings.

Mounting Tape

- Step 1.** Remove paper cover from tape.
- Step 2.** Apply frame to wall in desired location.